

MSP 227 Quick Start



- Convert any input of AV/YPbPr/VGA/DVI/HDMI
- Picture mode selection
- Color temperature selection
- Auto adjust for screen
- Buttons to setup and configure the MSP 227
- **Enter/Output** button works as **Output** to select output port
- Dial Switch on the bottom to set output format
- Input/Output resolution: Up to 1920x1080P@60Hz
- HDCP compliant

CONTENT

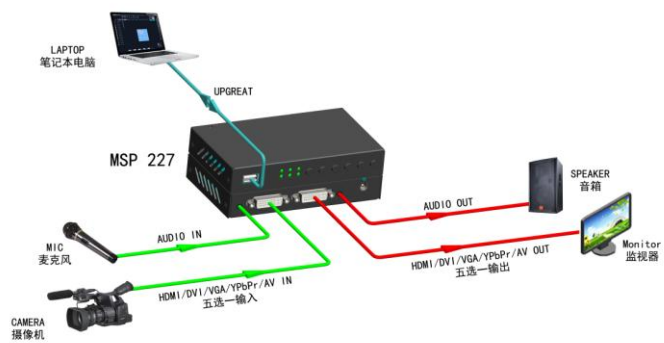
Product Introduction	2
Packing Configuration	3
Hardware Orientation	4
Front Panel.....	4
Back Panel.....	5
Bottom Panel and Dial Switch.....	6
Menu Operation	7
Using the MENU Button.....	7
Understanding the MENU Structure.....	8
Using the MENU.....	9
System Connection	11
Contact Information.....	12

Product Introduction

- MSP 227 converts any input of AV/YPbPr/VGA/DVI/HDMI to any output of AV/YPbPr/VGA/ DVI/HDMI.
- Buttons on the front panel to setup and configure the MSP 227.
- When no Menu on the screen, “**Enter/Output**” button works as **Output** to select output port, such as AV, YPbPr, VGA, DVI or HDMI.
- Dial Switch on the bottom to set output format (1080p, 720p, etc.).
- Input/Output resolution: Up to 1920x1200/1920x1080/1600x1200.
- HDCP compliant.

System Connection

RGBlink offers solutions to demanding technical problems. Any application questions, or required further information, please contact with our customer Support Engineers.



MSP 227 System Connection Diagram

Packing Configuration

AC Power Cord



**Adapter
DVI-HDMI**



**Adapter
DVI-VGA**

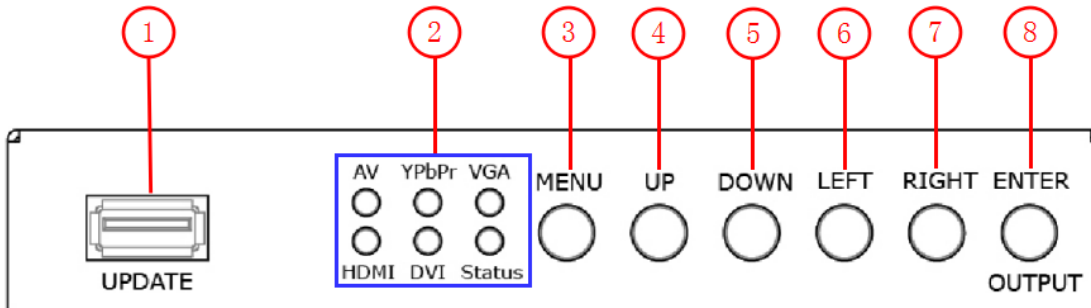


**Adapter
DVI-YPbPr/AV**



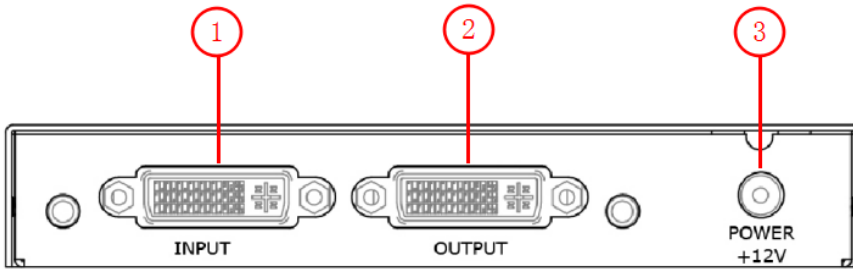
Hardware Orientation

Front Panel



Button Instruction			
1	USB interface	5	Down button
2	AV/YPbPr/VGA/DVI/HDMI indicator	6	Left button
3	Menu button	7	Right button
4	Up button	8	Confirm button

Back Panel



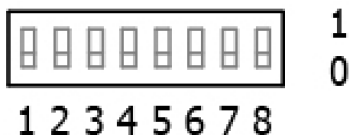
Input Interface	
1	DVI Input DVI-I port

Output Interface	
2	DVI Output DVI-I port

Power Interface	
3	Standard 12V/3A

Bottom Panel and Dial Switch

Dial Switch



Dial Switch

Used to set the output format. Please refer to the graph instruction on the bottom panel for specific operation.

Bottom Panel

HDMI/DVI/VGA output				YPbPr output			AV output							
Switch				Format			Switch		Standard					
1	2	3	4	5	6	7	8							
0	0	0	0	1920x1080	60HZ	HDMI /DVI	0	0	0	1080P	60HZ	0	PAL	
0	0	0	1	1208x720	60HZ		VGA	0	0	1	702P	60HZ	1	NTSC
0	0	1	0	1024x768	60HZ			reserved	reserved	reserved	reserved			
0	0	1	1	1280x1024	60HZ									
0	1	0	0	1360x768	60HZ									
0	1	0	1	1440x900	60HZ									
0	1	1	0	1600x1200	60HZ									
0	1	1	1	1680x1050	60HZ									
1	0	0	0	1920x1080	50HZ									
1	0	0	1	1280x720	50HZ									
1	0	1	0	1280x800	60HZ									
1	0	1	1	1360x768	60HZ									
1	1	0	0	1400x1050	60HZ									
1	1	0	1	1920x1200	60HZ									

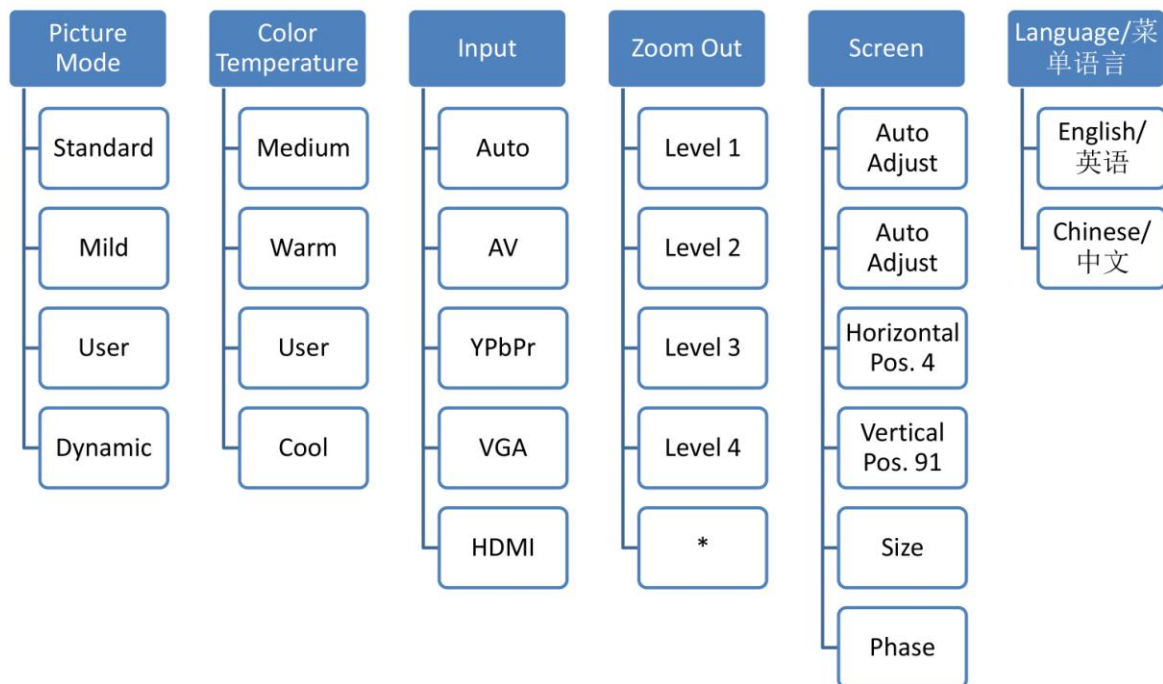
Menu Operation

Using the MENU Button

1. Connect one end of the DVI cable to the DVI output of MSP 227, and the other end to the DVI input of the display, turn on the power for the display and MSP 227.
2. Push the "MENU" button and enter to the menu items.
3. Push the "UP", "DOWN", "LEFT" and "RIGHT" button to select the menus.
4. Push the "ENTER/OUTPUT" button to select the menu or settings.
5. Push the "MENU" button to return to the main menu.
6. All the menus and operations are shown on the display.

Understanding the MENU Structure

The MENU structure is shown in the figure below:



Using the MENU

Push the [MENU] button in the default state, the display will show the main menus. There are 6 menu items in the main menu. Push the [UP/DOWN] button to select the menu items, and push the [ENTER/OUTPUT] button to confirm. The display will show the submenus as below:

Main Menu	Submenu
Picture Mode	<u>Standard Mode</u> Default Contrast 50, Brightness 55, Color 50, Sharpness 0 and Tint 50 in standard mode. No setup required.
	<u>Mild</u> Default Contrast 48, Brightness 48, Color 50, Sharpness 0 and Tint 50 in mild mode. No setup required.
	<u>User</u> Default Color 50, Sharpness 0 and Tint 50 in user mode. User can set the Contrast and Brightness.
	<u>Dynamic</u> Default Contrast 55, Brightness 48, Color 55, Sharpness 0 and Tint 50 in dynamic mode. No setup required.
Color Temperature	<u>Medium</u> Default Red 50, Green 50 and Blue 50 if select medium. No setup required.
	<u>Warm</u> Default Red 70, Green 38 and Blue 50 if select warm. No setup required.
	<u>User</u> User can set Red, Green and Blue if select user mode.
	<u>Cool</u> Default Red 50, Green 38 and Blue 70 if select Cool. No setup required.
Input	Auto (Default input), AV, YPbPr, VGA and HDMI can be selected.
Zoom Out	Level 1, default setting. Level 2, Zoom out 2%. Level 3, Zoom out 6%. Level 4, Zoom out 10%. *: Only available when AV output. Note: MSP 227 V1.0 can not support this function.
Screen	<u>Auto Adjust</u> Enable or disable the auto adjust function.
	<u>Auto Adjust</u> Auto adjust is available if select "On" for auto adjust option.
	<u>Horizontal Pos.</u> Push the [UP/DOWN] button to increase or decrease the horizontal position value.

	<p><u>Vertical Pos.</u> Push the [UP/DOWN] button to increase or decrease the vertical position value.</p>
	<p><u>Size</u> Push the [UP/DOWN] button to increase or decrease the size.</p>
	<p><u>Phase</u> Push the [UP/DOWN] button to increase or decrease the phase.</p>
Language/菜单语言	Select Chinese or English.

System Connection

Besides standard DVI, the MSP 227 also supports HDMI with DVI-HDMI adapter, VGA with DVI-VGA adapter, YPbPr/AV with DVI-YPbPr adapter.

Adapters



DVI-HDMI



DVI-YPbPr/AV



DVI-VGA

Connection

YPbPr **video** connection



AV **Video** Connection



VGA **Video** Connection



HDMI Connection



DVI/VGA/YPbPr/AV **Audio** Connection



Contact Information

Warranty:

All video products are designed and tested to the highest quality standard and backed by a full 3 years parts and labor warranty. Warranties are effective upon delivery date to customer and are non-transferable. RGBlink warranties are only valid to the original purchase/owner. Warranty related repairs include parts and labor, but do not include faults resulting from user negligence, special modification, lighting strikes, abuse(drop/crush), and/or other unusual damages.

The customer shall pay shipping charges when unit is returned for repair.

Headquarter: S603~604 Weiye Building Torch Hi-Tech Industrial Development Zone Xiamen, Fujian Province, P.R.C

- **Tel:** +86-592-5771197
- **Fax:** +86-592-5788216
- **Customer Hotline:** 4008-592-315
- **Web:**
 - ~ <http://www.rgblink.com>
 - ~ <http://www.rgblink.cn>
- **E-mail:** support@rgblink.com