

TAO 1tiny



Key Features

- 4K UVC camera to HDMI conversion
- Webcam signal transcoding
- Low Power consumption
- Power from standard USB-C PD PSU's
- Support for USB Bluetooth controls

Specification

Connectors	Input	USB 2.0	1×USB-A	
		Type C	1×USB-C	
	Output	HDMI 2.0	1×HDMI-A	
	Power		1×PD Type-C	
Performance	Input Resolutions	Type C	SMPTE 720p@25/30/50/60 1080p@30/50/60 2160p@30 VESA 1280×720@30/50/60 1280×768@60 1920×1080@25/30/50/60 3840×2160@30	
	Output Resolutions	HDMI	SMPTE 720p@25/30/50/60 1080p@30/50/60 2160p@30/60 VESA 1280×720@30/50/60 1280×768@60 1920×1080@25/30/50/60 3840×2160@30/60	
	Supported Standard	HDMI	2.0	
		USB	3.0	
	Decoding Formats		MJPEG YUV H.264	
	Compatibility		Camera with UVC1.1/UVC1.5 protocol	
Power	Input Voltage	9V/2A or 5V/2A(depends on adapter)		
	Max Power	18W		
Environment	Temperature	0°C~55°C		
	Humidity	20%~55%		
Physical	Weight	Net	0.08kg	
		Package	0.136kg	
	Dimension	Net	90.5mm × 55.5mm × 27.2mm	
		Package	104mm × 92mm × 37mm	

*Power of Adapter is not less than:5V/2A/10W;Do not use the USB port of the computer for power supply

Application

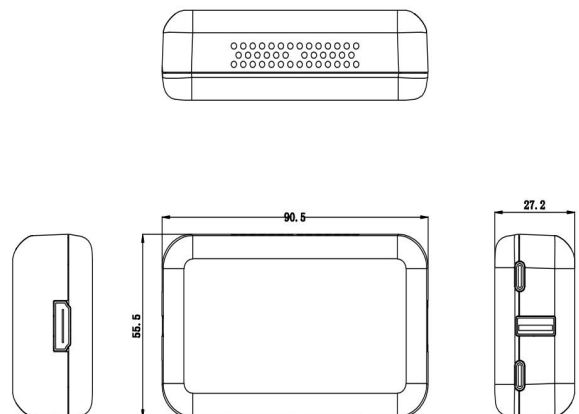
How to work with USB camera with TAO 1tiny



How to work with mini series with TAO 1tiny



Dimension



Order Codes

Product Code	Item
410-5513-02-2	TAO 1tiny