

UTP Cat6 24AWG 4 Pair 7/0.2 Twisted Patch Cable



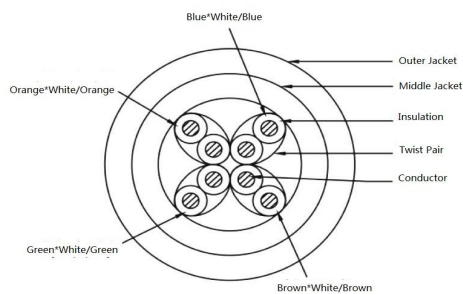
Key Features

- Soft cable body for easy wiring
- Durable break-resistant connector
- Copper terminals with anti-oxidation Nickle & Gold plating
- Extra wide latch for quick connection/removal
- Dual PVC jackets with high strength and heat resistance
- Pure copper wire core , each strand formed by 7 independent wire to conduct with low resistance
- 50um plating connectors durable over 1000 repeated plug and unplug
- Velcro strap for easy storage

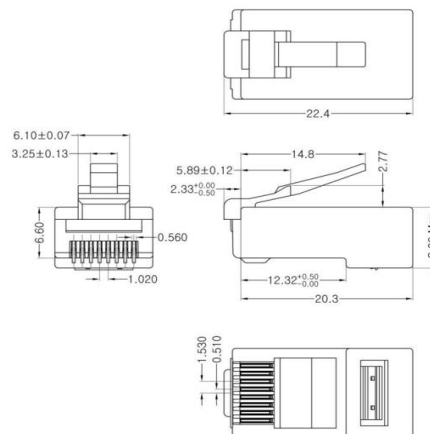
Specification

Conductor	Wire Guage	24AWG		
	Material	Bare Copper Twisted Pair		
	Cord Size	7/0.2/±0.008		
Insulation	Avg.Thickness	0.2mm		
	Min.Thickness	0.15mm		
	Material	HD-PE		
	Color	Orange*White/Orange, Green*White /Green, Blue*White/Blue, Brown*White/Brown		
	Diameter	0.98±0.05mm		
Middle Jacket	Avg.Thickness	0.5±0.05mm		
	Material	PVC		
	Color	Glossy Black		
	Diameter	OD=5.2±0.15mm		
Outer Jacket	Avg.Thickness	0.65±0.05mm		
	Material	PVC		
	Color	Matte Black		
	Diameter	OD=6.5±0.15mm		
Physical	Weight	1.2m	0.068kg/pcs	3.65kg/(Pack:50pcs)
		1.5m	0.082kg/pcs	3.65kg/(Pack:40pcs)

Cross Section



Connectors Dimension



Order Codes

Product Code	Item
940-0000-80-11-0	0.8m UTP Cat6 Cable
940-0001-00-11-0	1.0m UTP Cat6 Cable
940-0001-20-11-0	1.2m UTP Cat6 Cable
940-0001-50-11-0	1.5m UTP Cat6 Cable
940-0002-00-11-0	2m UTP Cat6 Cable
940-0003-00-11-0	3m UTP Cat6 Cable
940-0005-00-11-0	5m UTP Cat6 Cable
940-0010-00-11-0	10m UTP Cat6 Cable
940-0015-00-11-0	15m UTP Cat6 Cable
940-0020-00-11-0	20m UTP Cat6 Cable
940-0025-00-11-0	25m UTP Cat6 Cable
940-0030-00-11-0	30m UTP Cat6 Cable

Tel: +86-592-5771197 | Fax: +86-592-5788216 | E-mail: sales@rgblink.com

Headquarter: oom 601A, No. 37-3 Banshang community, Building 3, Xinke Plaza, Torch Hi-Tech Industrial Development Zone, Xiamen, China

Specifications are correct at time of printing and subject to change or alteration without notice.

RGblink
www.rgblink.com

