

# UTP Cat6-24 AWG 4Pair 1/0.56 Twisted Patch Cable



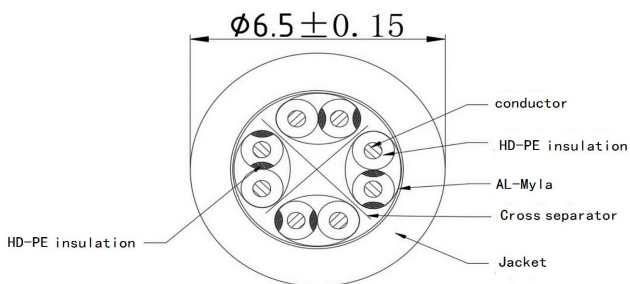
## Key Features

- Durable break-resistant connector
- Copper terminals with anti-oxidation Nickel & Gold plating
- Extra wide latch for quick connection/removal
- Dual PVC jackets with high strength and heat resistance
- Each conductor formed by bare copper 0.56mm to make sure up to 100m signal transmission
- Cross separator and al-myla shielding cable to electromagnetic or electrostatic interference
- 50um plating connectors durable over 1000 repeated plug and unplug
- Velcro strap for easy storage

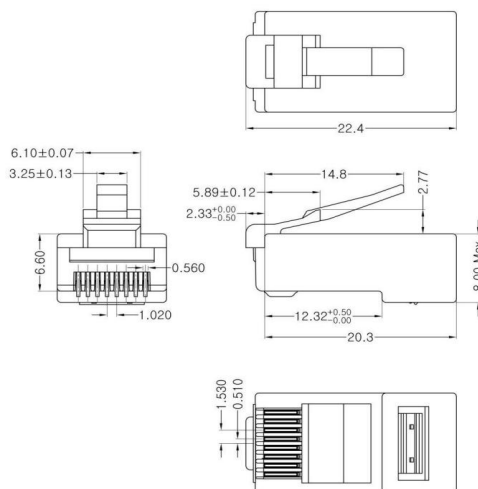
## Specification

<b>Conductor</b>	Wire Guage	24AWG			
	Material	Bare Copper Twisted Pair			
	Cord Size	1/0.56BC+0.008			
<b>Insulation</b>	Color	Blue*White/Blue	Orange*White/Orange	Green*White /Green	Brown*White/Brown
	Material	HD-PE	HD-PE	HD-PE	HD-PE
	Min.Thickness	0.2mm	0.21mm	0.2mm	0.2mm
	Avg.Thickness	0.22mm	0.24mm	0.22mm	0.23mm
	Diameter	1.01+0.05mm	1.04+0.05mm	1.01+0.05mm	1.02+0.05mm
<b>Shielding</b>	Filler	Cross Seperator	4.8*4.8		
	AL-Myla	Coverage(%)	100%( wide 18±2mm)		
		Overlap(%)	25%		
<b>Jacket</b>	Material	PVC 80P			
	Color	Matte Black			
	Min.Thickness	0.6mm			
	Avg.Thickness	0.7mm			
	Diameter	6.5±0.15mm			
<b>Physical</b>	Dimension	31.8×20.5×18cm (packaged)			

## Cross Section



## Connectors Dimension



## Order Codes

Product Code	Item
940-0040-00-11	40m UTP Cat6 Cable
940-0050-00-11	50m UTP Cat6 Cable
940-0060-00-11	60m UTP Cat6 Cable
940-0070-00-11	70m UTP Cat6 Cable
940-0080-00-11	80m UTP Cat6 Cable
940-0090-00-11	90m UTP Cat6 Cable
940-0100-00-11	100m UTP Cat6 Cable

Tel: +86-592-5771197 | Fax: +86-592-5788216 | E-mail: sales@rgblink.com

Headquarter: oom 601A, No. 37-3 Banshang community, Building 3, Xinke Plaza, Torch Hi-Tech Industrial Development Zone, Xiamen, China

Specifications are correct at time of printing and subject to change or alteration without notice.

**RGBlink**  
www.rgblink.com

